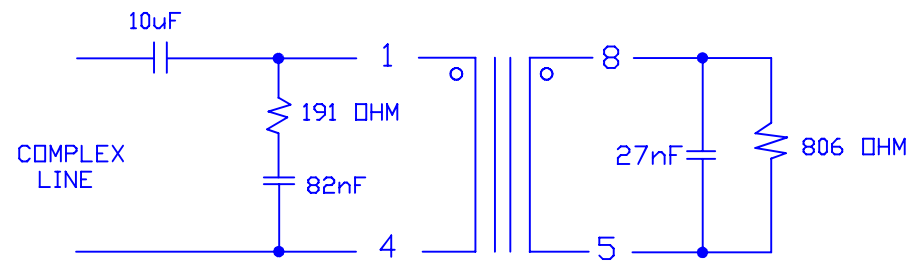
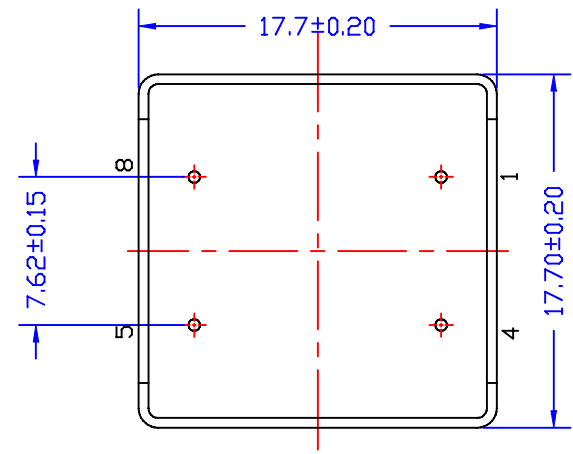
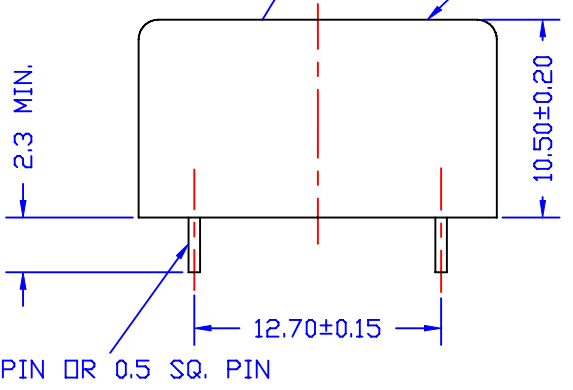
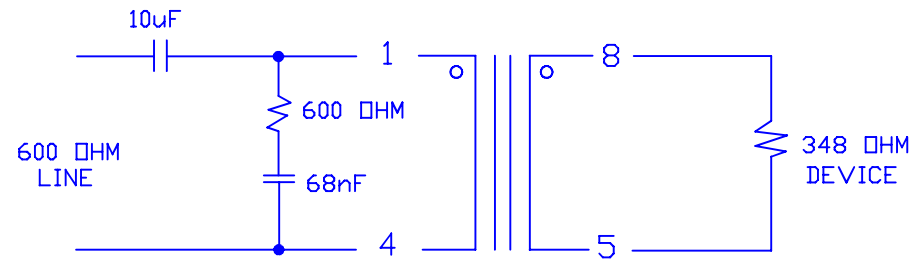


ATS-184
Atech

DOT PIN#4



OPTIMUM CLASS (A) COMPLEX MATCH



OPTIMUM CLASS (B) 600 OHM MATCH

ELECTRICAL CHARACTERISTICS: (FOR V.34, 4KV)

1. D.C.R. : PIN 1-4 = 126 OHM+/-10% PIN 5-8 = 126 OHM+/-10%
2. INDUCTANCE (@250HZ,1Vrms,PARALLEL): PIN 1-4 = 14H MIN.(17H TYP.)
3. RETURN LOSS : (REF. 600 OHM) 250 TO 4KHZ = 25dB MIN.
@1KHZ = 35dB MIN.
4. INSERTION LOSS : (1KHZ, 0dBm) 3dB MAX.
5. FREQ. RESPONSE: (REF. 1KHZ) @300HZ=+/-0.3dB @3KHZ=+/-2.0dB
6. LONGITUDINAL BALANCE : 200HZ-4KHZ 70dB MIN.
7. TURN RATIO :(4KHZ, 0.1Vrms) PIN 1-4 : 8-5 = 1+/-1%
8. DISTORTION : 300HZ, -10dBm : -84dB MAX.
9. HI-POT : (@4KVAC, 1mA, 2SEC) PRI-SEC
10. RoHS COMPLIANCE.

						Atech [®] Atech Technology Co., Ltd. TEL:(02)2794-6667 FAX:(02)2794-8004	TITLE 600 : 348 TRANSFORMER	
							DWG. NO. ATS-184R	
						UNITS:	SAFETY	
NO:	DESCRIPTION	DATE	BY	CHK	APPD	DATE	SHEET 1 OF 1	
REVISIONS						DRAW		